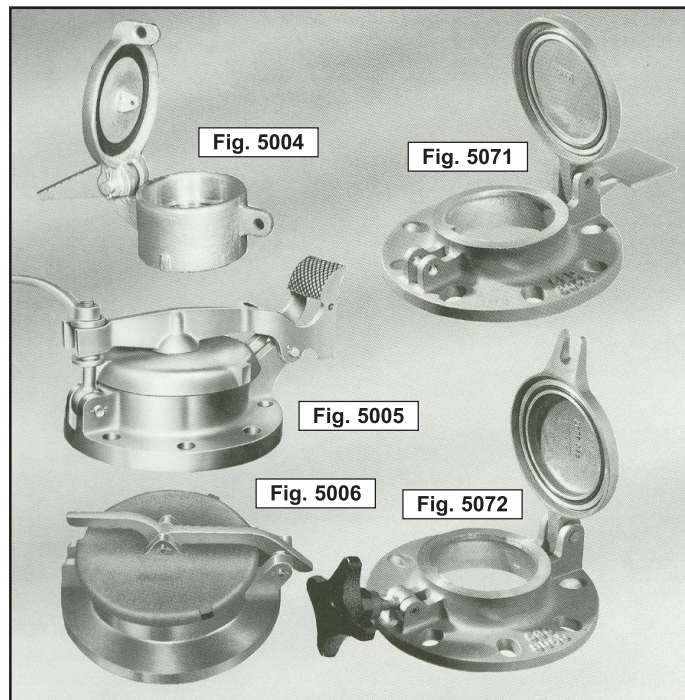


Tank Fitting

Gauge Hatches



Gauge Hatches have been designed to provide secure, vapour-tight, non-sparking access ports for storage tank dipping and sampling functions.

FIGURE 5004 LOCKABLE GAUGE HATCH SIZE - 3" (75 mm)

Can be fitted with a padlock for anti-theft product security. Cover lip design ensures that when the padlock is in place the cover cannot be removed.

FIGURE 5005 PRESSURE TYPE GAUGE HATCH SIZES - 4" (100 mm), 6" (150 mm), 8" (200 mm)

Provides positive vapour tight closure for use on pressure vessels up to 15 psi (1.05 bars). Lockable version with padlock available as extra.

FIGURE 5006 SPARKPROOF GAUGE HATCH SIZE - 8" (200 mm)

Specially designed to meet ESSO Engineering standards A-111-10. Hand operated hatch with heavy stay-back cover with vapour tight seal and anti-sparking security.

FIGURE 5071 GAUGE HATCH

SIZES - 4" (100 mm), 6" (150 mm), 8" (200 mm)

Designed to minimise vapour losses from low pressure tanks. Hinged cover is normally self-closing or foot operated. Acts as a vent should tank pressure rise above 2" (50 mm) WG-(plus or minus 15%).

FIGURE 5072 GAUGE HATCH

SIZES - 4" (100 mm), 6" (150 mm), 8" (200 mm)

Hinged cover is normally self closing or foot operated and provides minimum vapour losses. Incorporates a clamp down cover suitable for a working pressure of 5 psi.

SERVICING

All tank environmental protection equipments can be supported by our service department who can provide expert and specialist installation and commissioning service and complete 'on site' equipment maintenance, repair and servicing facilities including equipment condition surveying and certification and maintenance training.

**FIGURE 5004 LOCKABLE GAUGE HATCH
SIZE - 3" (75 mm)**

CONSTRUCTION & OPERATION

All brass construction with 3" API screwed connection. The thick elastomer ring dovetailed into the recess in the cover provides maximum vapour tightness and security against sparking.

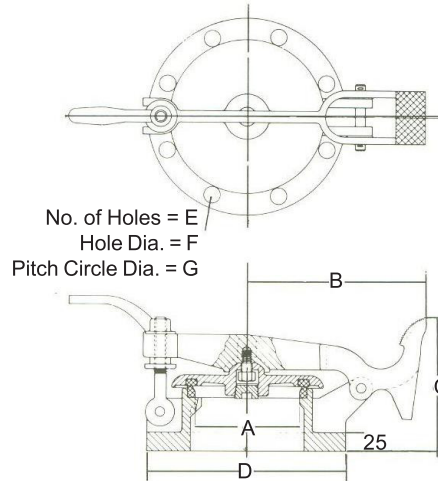
Brass body and cover. Screwed 3" API.

**FIGURE 5005 PRESSURE TYPE GAUGE HATCH
SIZES - 4" (100 mm), 6" (150 mm), 8" (200 mm)**

CONSTRUCTION & OPERATION

Cast iron cover incorporates a heavy synthetic rubber ring dovetailed into a recess, In 4" and 6" sizes a special moulded plastic seat inserted into the base ensures maximum vapour tightness and security against sparking. A drip ring drains condensate away from the joint face to minimise the effects of freezing. Uniform tightness at all points between the cover and the base is provided by a spherical self draining connection between the lever and the cover. Should sticking occur due to infrequent opening the handle use to screw down the cover can be removed and used to loosen the cover by continuing to rotate anti-clockwise until the cover lifts.

Steel body - cast iron cover - bronze lever. 150 lbs ASA flange.



	4"	6"	8"
A	100	150	200
B	206	254	264
C	215	190.5	165
D	229	279	343
E	8	8	8
F	19	22	22
G	191	241	298

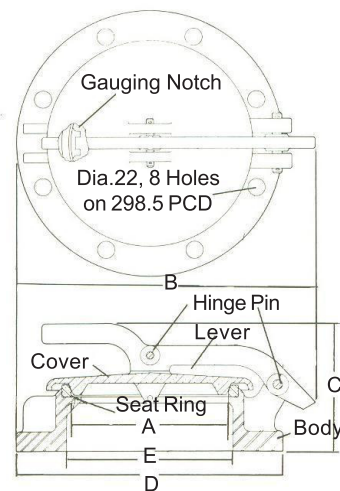
**FIGURE 5006 SPARKPROOF GAUGE HATCH
SIZE - 8" (200 mm)**

CONSTRUCTION & OPERATION

Cast steel base can be supplied undrilled for welding directly to tank roof plates, or drilled for fitting to tank roof nozzle.

A brass insert ring in the base is machined to give radial contact with the conical seating of the brass cover thereby ensuring an effective long term seal. Base has gauging notch located just below the insert ring.

Cast steel base - brass cover - bronze handle. Flange 150 lbs ASA flat face (FF).



A	B	C	D	E
206	387	163	342	215

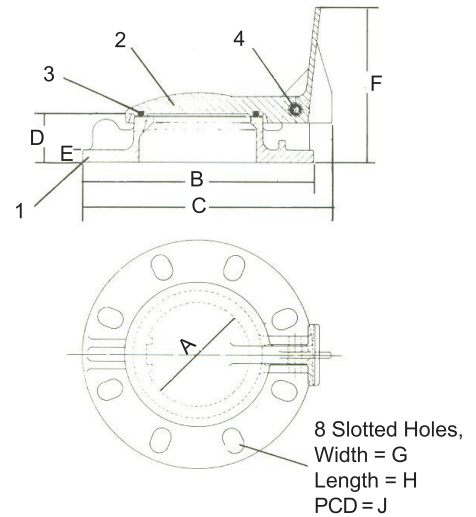
FIGURE 5071 GAUGE HATCH
SIZES - 4" (100 mm), 6" (150 mm), 8" (200 mm)

CONSTRUCTION & OPERATION

The aluminium base, with gauging notch, incorporates a self draining seat and has 8 slotted holes to facilitate mounting on the range of tank roof flanges listed opposite.

The aluminium cover is secured to the base with a stainless steel hinge pin. A nitrile rubber "O" ring seal is fitted into the cover to provide tight closure and to cushion the effects of repeated operation.

The units can accommodate service temperatures of -30°C to +90°C.



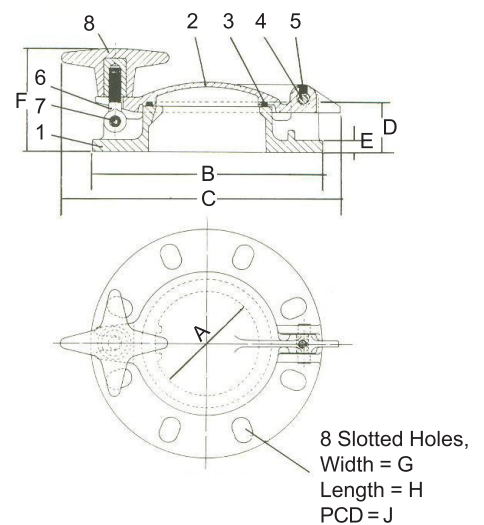
	4"	6"	8"
B	340	285	225
C	355	300	243
D	47	45	45
E	14	12	12
F	156	154	154
G	22	22	18
H	26	26	25
J	295	238	184

FIGURE 5072 SCREW DOWN GAUGE HATCH
SIZES - 4" (100 mm), 6" (150 mm), 8" (200mm)

CONSTRUCTION & OPERATION

The aluminium base, with gauging notch, incorporates a self draining seat and has 8 slotted holes to facilitate mounting on the range of tank roof flanges listed opposite.

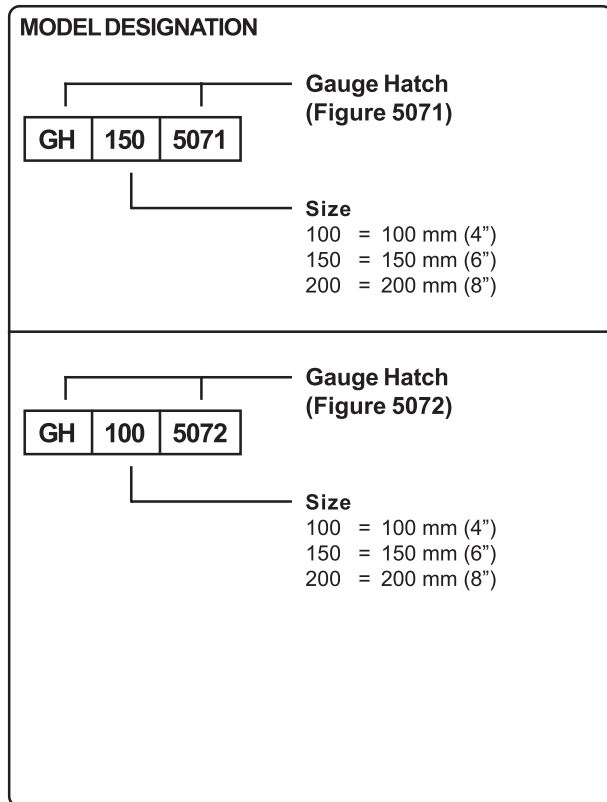
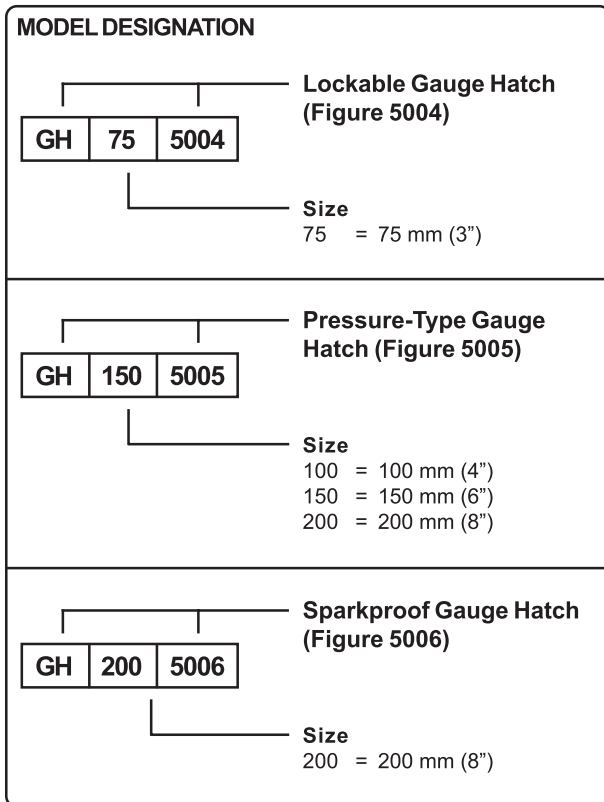
The aluminium cover is secured to the base with a stainless steel hinge pin. A nitrile rubber "O" ring seal is fitted into the cover to provide tight closure and to cushion the effects of repeated operation. The cover of the Fig. 5072 is slotted to accept the eye bolt and hand nut used for clamping the cover. The units can accommodate service temperatures of -30°C to +90°C.



	4"	6"	8"
B	340	285	225
C	383	333	273
D	47	45	45
E	14	12	12
F	110	108	104
G	22	22	18
H	26	26	25
J	295	238	184

TECHNICAL SPECIFICATIONS & MATERIALS OF CONSTRUCTION

	5004	5005	5006	5071	5072
Sizes					
3" (75 mm)	3"	--	--	--	--
4" (100 mm)	--	4"	--	4"	4"
6" (150 mm)	--	6"	--	6"	6"
8" (200 mm)	--	8"	8"	8"	8"
Mounting					
	Screwed 3" API	Flanged ASA 150 FF	Flanged ASA 150 FF	Flanged ASA 150 FF	Flanged ASA 150 FF
Pressure Rating					
	--	15 PSI	--	Cover lifts at approx. 50 mm WC	5 PSI
Materials					
Body / Base	Brass	Steel	Steel	Aluminium LM-25	Aluminium LM-25
Cover	--	Cast Iron	Brass	--	--
Lever / Handle	--	Manganese Bronze	Bronze	--	--
Sealing Ring	Nitrile	Neoprene High Nitrile	--	Nitrile	Nitrile



* Specifications are subject to change without notice.
* All dimensions are in mm unless otherwise specified.

Vermont Technologies Pvt. Ltd.

Corporate Office & Operations:

Plot No. PAP-A-8/6, "A" Block, Phase IV, MIDC Chakan, Opp Mahindra Vehicle, Dist. Pune - 410 501.
 Tel : +91 9168179461 / +91 9168176683
 E-mail : ho@vermonttechnologies.co.in
 Website : www.vermonttechnologies.co.in