

# FLOW PULSE TRANSMITTER -ENCODER



The VERMONT Pulse Transmitter or generator provides fast and accurate signalling for remote indication, totalising and data monitoring system. The unit is mounted directly on the flow meter and is magnetically coupled to the meter's output shaft. The pulses generated by the pulse transmitter can be easily integrated to host of electronic control devices.

## DESIGN FEATURES

- Flameproof enclosure: - PESO, ATEX, MID.
- High resolution 100 pulses per revolution.
- Two separate pulse trains.
- 90-degree Phase shift between dual phase O/P.
- Level "A" Pulse security as per IP 252 & API Chapter 5.
- Compact and rugged design.

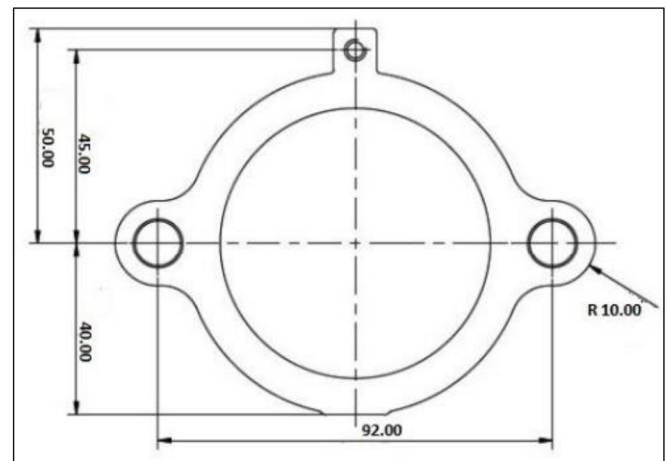


## PULSE TRANSMITTER SPECIFICATION

- Type : Integrated incremental magnetic encoder
- Model : EM (Eltomatic) 14-02
- Power Input : 5 to 15 VDC
- Pulse Frequency : 2KHz Max
- Output Pulse : 100 pulses per revolution  
50% duty cycle
- Output signals : Differential Line Driver
- Maximum Output Current : 20 mA per Channel
- Supply Current : 50mA Max.
- Power Dissipation : 0.6 W
- Operating Environment : -32° C To +60° c



P.D. FLOW METER WITH PULSE TRANSMITTER



PULSE TRANSMITTER DIMENSIONS

Specifications are subject to change without notice,  
All dimensions are in mm unless otherwise specified.

Pub. No. 001

Issue 1 Rev 0 26-09-2018

**Vermont Technologies Pvt. Ltd.**

**Corporate Office & Operations: -**

Plot No. PAP-A-8/6, "A" Block, Phase IV, MIDC Chakan, Opp. Mahindra Vehicle,  
Dist. Pune 410501.

Tel: (+91) 9168179461 / 9168176683

E-mail: [ho@vermonttechnologies.co.in](mailto:ho@vermonttechnologies.co.in)

Website: [www.vermonttechnologies.co.in](http://www.vermonttechnologies.co.in)