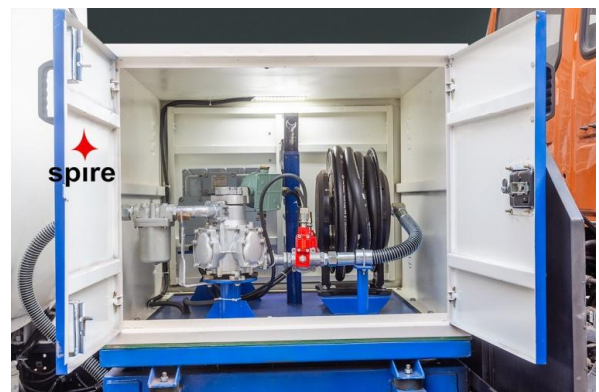


# Flow

## LEO Series



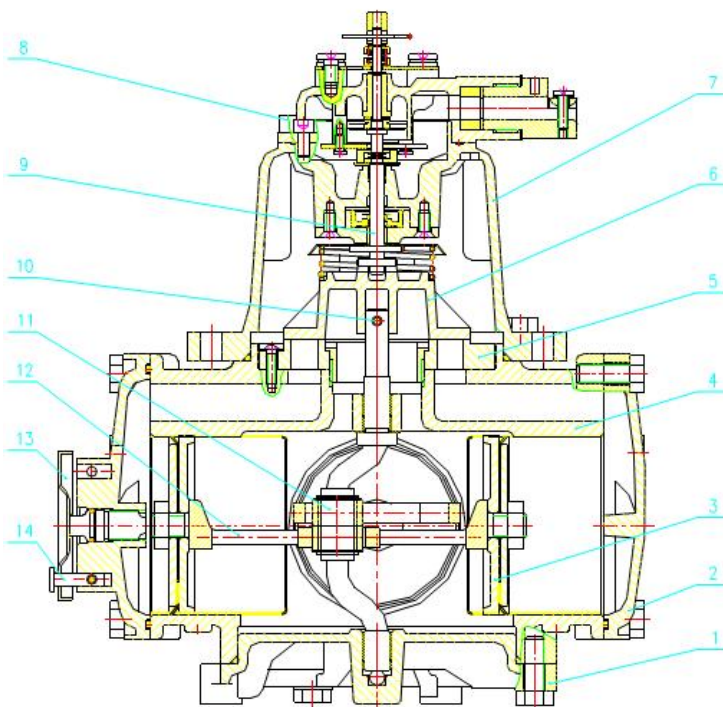
### Positive Displacement Flowmeter L-100



## P.D. Flowmeter

### Leo Series P.D. Flowmeter

The **Leo Series L-100** Positive Displacement Flow meters are an efficient and highly Accurate positive displacement Flowmeter. It works on volume basis with four flexible Piston. The pump full pushes the piston to move and Deliver defined volume, the movement of piston will drive the transmission shaft to rotate. This will in turn drives pulser or calibration device as the case may be. This proven meter has rugged industrial design to tolerate changing process parameters.



#### Design Features

- The body is made of alloy aluminium with Strength of SS bushing. Also high class Polymer, anti-Corrosion material
- Connection: 25 mm ( 1") flanged or NPT
- Flow Range: 2 to 100 LPM\*
- Approvals: PESO, Legal Metrology
- Cyclic Volume: 0.5 Ltrs Volume
- Repeatability: 0.02%
- Maximum pressure: 150 psi
- Viscosity Range: upto 11000 cps\*
- Max Temperature: 70 Deg C
- Min Operating Pressure: 1 to 1.5 Bar.

**\*\*For Confirmed Performance, consult Vermont Flow Application Team.**

# Meter Accessories

## A. Counters

Veeder Root 7887 or V01 for volume indication, digit large numerical reset 8 digit non-reset Litres, Dekalitres, Gallons indication.



Veeder Root 7889 or V02 Preset Counter predetermined volume precise batch control.



Veeder Root EMR4 display counter with indication, 4-20 mA output, data logging facility.



Veeder Root Ticket 7888 provides an ticket for delivery Accumulative or Zero options available.



Electronic Registration Ex proof as well as Panel mounted WP options to perform multiple functions and pulse output, RS232/485 communication.



## B. Pulse Transmitter

The electronic pulse signal output, to transmit to other flow control or data acquisition.



## C. Strainer and Air Eliminator

For efficient operation of meter, removes free air or vapour and provides protection from debris entering into flowmeter.



## Air Separator

Air separator efficiently separates and releases air or gas from liquid products before they are metered.



## D. Mechanical Preset Valve

Preset valves provide an accurate and automatic control of a predetermined quantity of liquid to be delivered through the P. D. flowmeter. A typical preset arrangement consists of a Preset Valve mounted on the P. D. flowmeter outlet and connected by a mechanical linkage to the preset register fitted below the P. D. flowmeter counter.



## E. Digital Control Valve

Electrically actuated, hydraulically operated multifunction control valve. The valve also offers an in-built flow governing function. Two stage valve also available.



## Vermont Technologies Pvt. Ltd.

Corporate Office & Operations:

Plot No: PAP- A-8/6, " A" Block, Phase IV, MIDC Chakan, Opp Mahindra Vehicle, Dist:Pune- 410501

Tel. : +91 9168179461 / 9168176683

Email : [ho@vermonttechnologies.co.in](mailto:ho@vermonttechnologies.co.in)

Website : [www.vermonttechnologies.co.in](http://www.vermonttechnologies.co.in)